



CAY046R2

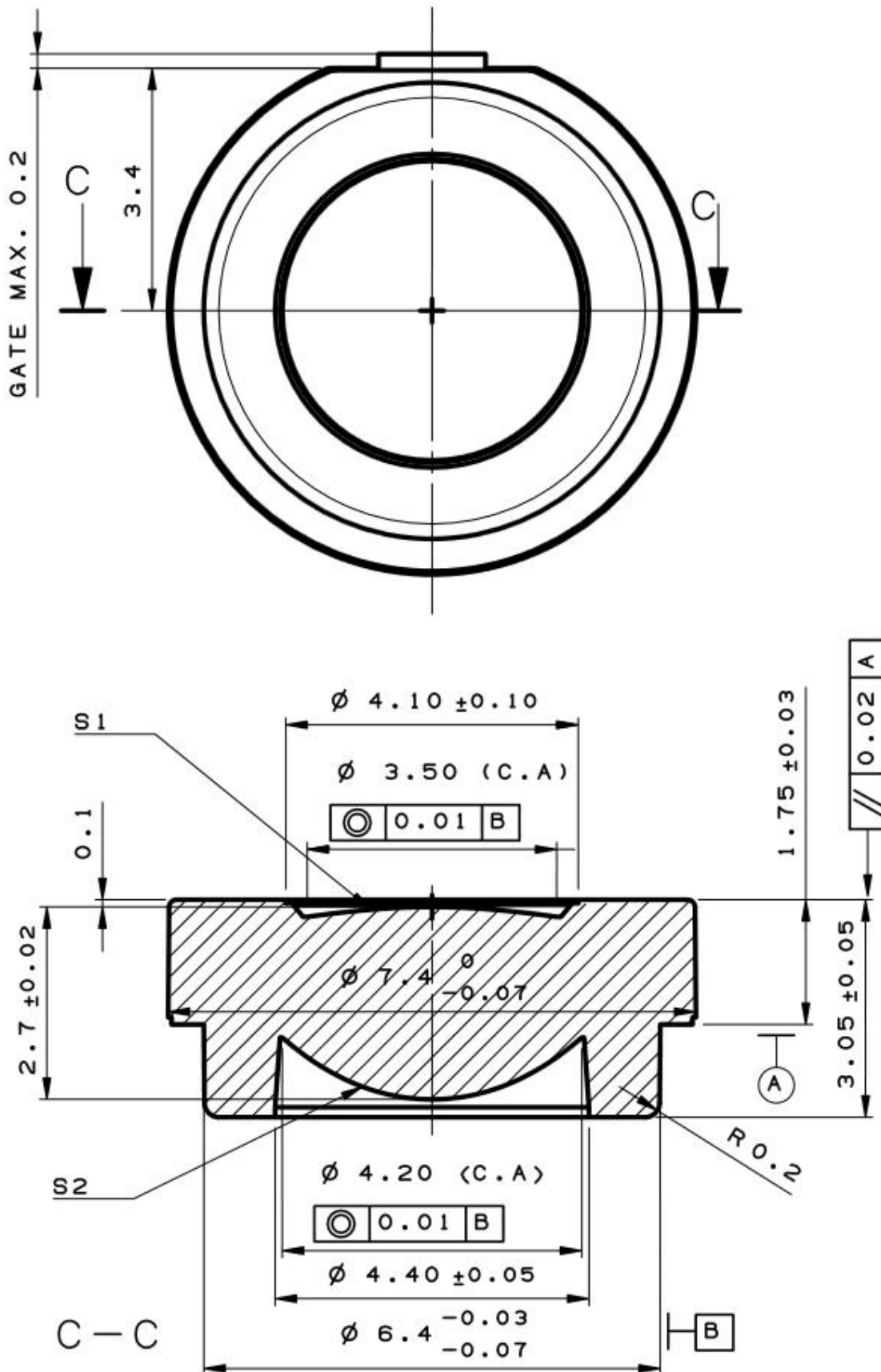
Parameters	Wavelength		Unit
	670 nm	785 nm	
Design conditions			
<i>N.A.</i>	0.4		--
Clear Apertures <i>CA</i>	3.5 / 4.2		mm
Designed with laser cover glass (<i>BK7</i>) on source side:			
Distance from source	0.55		mm
Glass thickness	0.25		mm
Optical parameters			
Focal Length	4.60	4.64	mm
Back Focal Length <i>BFL</i> (<i>with BK7 coverglass</i>)	3.18	3.20	mm
Free Working Distance <i>FWD</i>	3.08	3.10	mm
<i>RMS</i> mean	on axis	30	mλ
<i>RMS</i> max. ($\pm 3\sigma$)	on axis	40	mλ
Optical Tolerance	0.1		mm
Field Radius	0.1		mm
Mechanical parameters			
Mounting hole diameter D_{mh}	Ø 7.40 (+ 0.03)		mm
Other parameters: see drawing	2024-001-0102		
Environmental stability			
Storage Temperature	-25 to 70		°C
Operating Temperature	5 to 65		°C

General Data:

Transmission [%]: > 90

Lens Material: Acrylic

PMMA [8N]



all dimensions in mm