



ROITHNER LASERTECHNIK GmbH

WIEDNER HAUPTSTRASSE 76
TEL. +43 1 586 52 43 -O. FAX. -44

1040 VIENNA
OFFICE@ROITHNER-LASER.COM

AUSTRIA



RGL-830-9R

- 3 Glass Lens Laser Diode Collimator
- EFL = 8.3 mm, N.A = 0.30
- ARC 630-670 nm
- Threaded design



ROHS
COMPLIANT

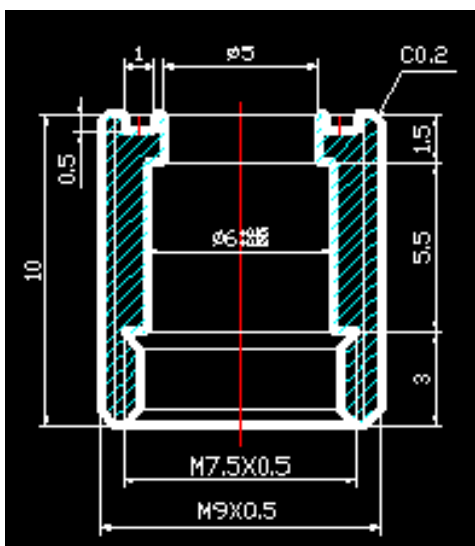
Description

RGL-830-9R is a 3-glass lens laser diode collimator, featuring a brass housing with a M9x0.5 fine pitched thread. The accommodated glass lens has a **focal length** of **8.3 mm** and comes with an **anti-reflection coating** for the red wavelength range (**630-670 nm**), making it ideally suitable for red and IR diodes. **RGL-830-9R** can be used in conjunction with our **LDMT** series of laser diode mounting tubes (see page 2).

Specification

Parameter	Values	Unit
Effective Focal Length	8.3	mm
Numerical Aperture	0.30	
Clear Aperture	5.0	mm
Anti-Reflection Coating	630 - 670	nm
Thread	M9 x 0.5	mm
Dimensions	Ø9 x 10	mm
Material body	brass, black burnished	
Material lens	glass	

Outline Dimensions



All dimensions in mm



Accessories

LDMT Laser Diode Mounting Tube



- Available for 5.6 mm and 9.0 mm laser diodes
- Inside thread M9x0.5
- AlCuBiPb F37, black anodized
- Compatible with RGL laser diode collimators

© All Rights Reserved

The above specifications are for reference purpose only and subjected to change without prior notice